

BANK OF SOUTHSIDE THE
 P O BOX 40
 CARSON, VA 23830
 OAKLAND CHURCH
 ACRES:7.37

Neighborhood Number
 6001

Neighborhood Name
 PGPA 6

TAXING DISTRICT INFORMATION

Jurisdiction Name PRINCE GEORGE COUNTY
 Area 001
 District P5
 Section & Plat 427/174

Transfer of Ownership

Owner	Consideration	Transfer Date	Deed Book/Page	Deed Type
THWEATT FAMILY TRUST THE	400000	08/11/2017	17 2338	SW
THWEATT ALBERT W & BETTY W	0	02/21/2008	08 674	DG
BROWN HARRY ET AL	36000	04/30/1982	427 171	

Valuation Record

Assessment Year	2013	2013	2014	2015	2016	2017	2018	
Reason for Change	Reassess	FY 14 LB	Reassess	Reassess	Reassess	Reassess	Reassess	
Market Value	L 73800	I 73800	T 73800	L 73800	I 73100	T 73100	L 73100	
	I 575300	T 575300	L 575900	I 575900	T 575900	L 575800	I 666100	
	T 649100	L 649100	I 649700	T 649700	L 649000	I 648900	T 739200	
Taxable Value	L 73800	I 73800	T 73800	L 73800	I 73100	T 73100	L 73100	
	I 575300	T 575300	L 575900	I 575900	T 575900	L 575800	I 666100	
	T 649100	L 649100	I 649700	T 649700	L 649000	I 648900	T 739200	

Site Description

Topography
 Public Utilities
 Street or Road
 Neighborhood
 Zoning:
 R-A, Residential Agricultural
 Legal Acres:
 7.3700



Land Size

Land Type	Rating, Soil ID - or - Actual Frontage	Acreage - or - Effective Frontage	Square Feet - or - Effective Depth	Influence Factor
R-A <20 - IMP				W -1%

Physical Characteristics

Style: 33 2/2+ STORY TRANSITIONAL
 Occupancy: Single family
 Story Height: 2.0
 Finished Area: 6220
 Attic: None
 Basement: None

ACCOMMODATION
 Finished Rooms 9
 Bedrooms 3
 Family Rooms 1
 Formal Dining Rooms 1

HEATING AND AIR CONDITIONING
 Primary Heat: Central Warm Air
 Lower Full Part
 /Bsmt 1 Upper Upper
 Air Cond 0 3742 1669 809

ROOFING
 Material: Comp sh to 235#
 Type: Gable-Hip
 Framing: Std for class

FLOORING
 Sub and joists 1.0, 1.75, 2.0
 Base Allowance 1.0, 1.75, 2.0

EXTERIOR COVER
 Brick 1.0, 1.75, 2.0

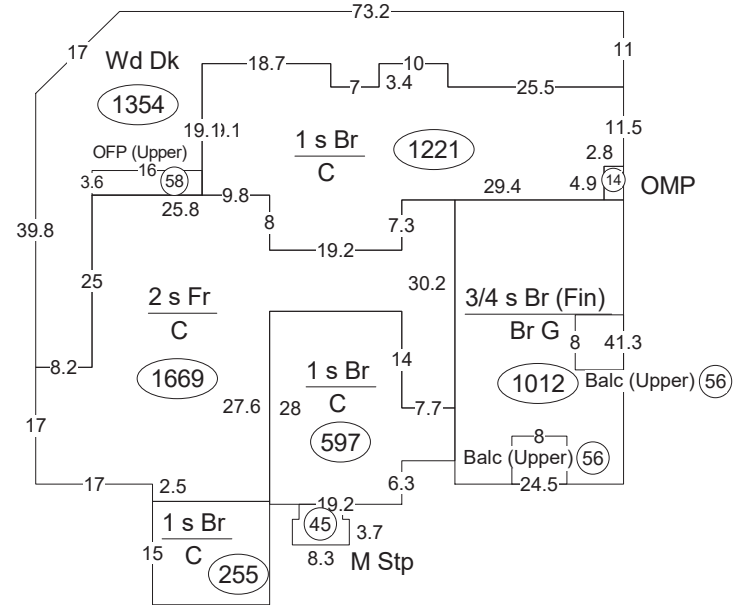
INTERIOR FINISH
 Drywall 1.0, 1.75, 2.0

PLUMBING

#	TF
5 Fixt. Baths	1 5
4 Fixt. Baths	1 4
3 Fixt. Baths	2 6
2 Fixt. Baths	2 4
Kit Sink	1 1
Water Heat	1 1
Extra Fixt	4
TOTAL	25

REMODELING AND MODERNIZATION
 Amount Date

AG POOL SET INTO DECK



Special Features

Description

D : Fireplace, Fireplace

Summary of Improvements

ID	USE	Story Height	Const Type	Grade	Year Cons	Eff Year	Cond	Size or Area
D	DWELL	0.00		65	1994	1994	3	6423
G01	ATTGAR	0.00	7					1012